

- SHORING NOTES:**
1. ALL INDIVIDUAL POSTS UNDER CONCRETE JOISTS TO HAVE APPROXIMATELY 8'-2" HEIGHT (FIELD VERIFY), PS61 OR PS77 FROM BUCKINGHAM STRUCTURAL MOVING EQUIPMENT OR APPROVED EQUAL.
 2. ALL INDIVIDUAL POSTS UNDER CONCRETE BEAMS TO HAVE APPROXIMATELY 7'-6 1/2" HEIGHT (FIELD VERIFY), PS61 OR PS77 FROM BUCKINGHAM STRUCTURAL MOVING EQUIPMENT OR APPROVED EQUAL.
 3. PLACE ALL POSTS ON 12"x12"x3/8" (MIN.) STEEL PLATE.
 4. JACK SHORING POSTS TO REQUIRED PRE-LOAD PER MANUFACTURER REQUIREMENTS.
 5. ALL POSTS TO HAVE POSITIVE ATTACHMENT TO THE SLAB BELOW AND JOISTS/BEAMS ABOVE PER MANUFACTURERS REQUIREMENTS.
 6. SEE ATTACHED SHEET FOR SHORING FRAME SECTION.

3 NEW POSTS UNDER CONCRETE JOISTS WITH 12 KIP CAPACITY EACH

3 NEW POSTS UNDER CONCRETE JOISTS WITH 7.5 KIP CAPACITY EACH

W12X53 BEAM W/ 2 COLUMNS WITH 40KIP CAPACITY EACH

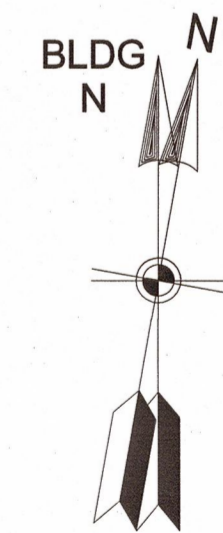
1 NEW POST UNDER CONCRETE JOISTS WITH 12 KIP CAPACITY EACH

6 NEW POSTS UNDER CONCRETE JOISTS WITH 12 KIP CAPACITY EACH

CONDUIT WOULD NEED TO BE REROUTED

LEGEND

- PARTIAL BEAM / GIRDER/ JOIST/ RIB REPAIR, SEE SHEET S-19
- COLUMN REPAIR X SQ FT AT BASE OF COLUMN SEE DETAIL 7/ S-20 FOR REPAIR



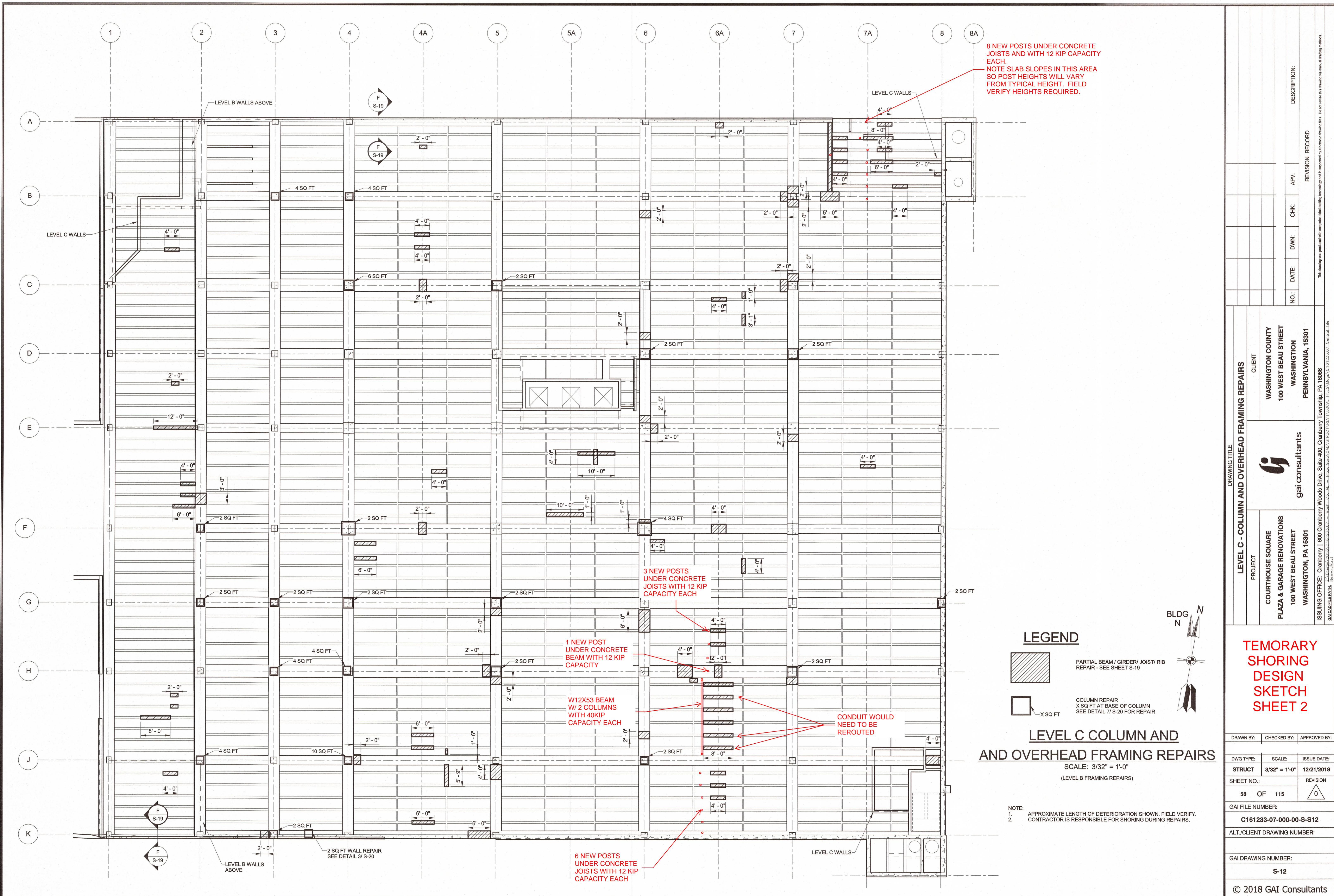
LEVEL D COLUMN AND OVERHEAD FRAMING REPAIR

SCALE: 3/32" = 1'-0"

(LEVEL C FRAMING REPAIRS)

- NOTE:
1. APPROXIMATE LENGTH OF DETERIORATION SHOWN. FIELD VERIFY.
 2. CONTRACTOR IS RESPONSIBLE FOR SHORING DURING REPAIRS.

DRAWING TITLE		CLIENT		REVISION RECORD	
LEVEL D - COLUMN AND OVERHEAD FRAMING REPAIRS		WASHINGTON COUNTY 100 WEST BEAU STREET WASHINGTON PENNSYLVANIA, 15301		NO.	DESCRIPTION:
PROJECT		gai consultants		CHK.	APV.
COURTHOUSE SQUARE & GARAGE RENOVATIONS 100 WEST BEAU STREET WASHINGTON, PA 15301		ISSUING OFFICE: Cranberry 680 Cranberry Woods Drive, Suite 400, Cranberry Township, PA 16096		DWN.	
		GAI FILE NUMBER: C161233-07-000-00-S-S11		DATE:	
		ALT./CLIENT DRAWING NUMBER:			
		GAI DRAWING NUMBER: S-11			
		© 2018 GAI Consultants			



8 NEW POSTS UNDER CONCRETE JOISTS AND WITH 12 KIP CAPACITY EACH.
NOTE SLAB SLOPES IN THIS AREA SO POST HEIGHTS WILL VARY FROM TYPICAL HEIGHT. FIELD VERIFY HEIGHTS REQUIRED.


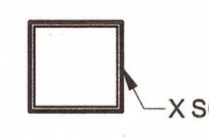
3 NEW POSTS UNDER CONCRETE JOISTS WITH 12 KIP CAPACITY EACH

1 NEW POST UNDER CONCRETE BEAM WITH 12 KIP CAPACITY

W12X53 BEAM W/ 2 COLUMNS WITH 40KIP CAPACITY EACH

6 NEW POSTS UNDER CONCRETE JOISTS WITH 12 KIP CAPACITY EACH

LEGEND

-  PARTIAL BEAM / GIRDER / JOIST / RIB REPAIR - SEE SHEET S-19
-  COLUMN REPAIR X SQ FT AT BASE OF COLUMN SEE DETAIL 71 S-20 FOR REPAIR

LEVEL C COLUMN AND OVERHEAD FRAMING REPAIRS

SCALE: 3/32" = 1'-0"
(LEVEL B FRAMING REPAIRS)

NOTE:
1. APPROXIMATE LENGTH OF DETERIORATION SHOWN. FIELD VERIFY.
2. CONTRACTOR IS RESPONSIBLE FOR SHORING DURING REPAIRS.

DRAWING TITLE		CLIENT	
LEVEL C - COLUMN AND OVERHEAD FRAMING REPAIRS		WASHINGTON COUNTY 100 WEST BEAU STREET WASHINGTON PENNSYLVANIA, 15301	
PROJECT		CLIENT	
COURTHOUSE SQUARE PLAZA & GARAGE RENOVATIONS 100 WEST BEAU STREET WASHINGTON, PA 15301		gai consultants	
NO.	DATE	DWN	CHK
		APV	DESCRIPTION
REVISION RECORD			
ISSUING OFFICE: Cranberry 1600 Cranberry Woods Drive, Suite 400, Cranberry Township, PA 15066			
GAI CAD FILE PATH: \\GAI-CAD\GAI\PROJECTS\161233-07 - Wash. Co. - PLAZA & GARAGE RENOVATIONS\WORK\DESIGN\161233-07 - Cranberry			
TEMPORARY SHORING DESIGN SKETCH SHEET 2			
DRAWN BY:	CHECKED BY:	APPROVED BY:	
DWG TYPE:	SCALE:	ISSUE DATE:	
STRUCT	3/32" = 1'-0"	12/21/2018	
SHEET NO.:		REVISION	
58 OF 115		0	
GAI FILE NUMBER:			
C161233-07-000-00-S-12			
ALT./CLIENT DRAWING NUMBER:			
GAI DRAWING NUMBER:			
S-12			
© 2018 GAI Consultants			

(2) 1/2" RODS WITH
HILTI HIT-HY 200
ADHESIVE (3"
EMBEDMENT)

L4X6X1/4X8" LONG
(TYP.)



(2) 1/2" BOLTS (TYP.)

W12x53

(4) 1/4" BOLTS
(TYP.)

7'-2" POST, PS61 OR PS77 FROM
BUCKINGHAM STRUCTURAL
MOVING EQUIPMENT OR
APPROVED EQUAL (TYP.)

PROVIDE POSITIVE ATTACHMENT
TO SLAB THROUGH POST BASE
PLATE AND ADDITIONAL BEARING
PLATE PER MANUFACTURERS
REQUIREMENTS

SHORING FRAME SECTION ACROSS DRIVE AISLE ON LEVELS D AND C
N.T.S.

TEMORARY
SHORING
DESIGN
SKETCH
SHEET 3